

HITACHI

Inspire the Next

CP-S318 series



- 2,000 ANSI lumens
- Native SVGA resolution
- 6 lbs
- 2 RGB inputs and RGB output
- Component/composite/S-video inputs
- HDTV theater ready
- FCC Class B
- 16:9 mode
- Vertical & horizontal keystone correction
- "My screen" (user programmable start-up)
- Reverse image function for ceiling mount
- Remote control
- Color correction
- Whisper mode 33dB
- Supplied soft case
- Digital zoom (x4)
- Freeze function
- Manual zoom & manual focus
- Kensington security slot
- Wide-angle lens

SPECIFICATIONS

Model name	CP-S318 series		
Liquid crystal panel structure	0.7" polysilicon active-matrix TFT x 3		
Number of pixels	480, 000 pixels		
Resolution	Video	540 TV lines	
	RGB	800 dots x 600 lines	
Colors	16.7 million colors		
Aspect ratio	Native 4:3/16:9 compatible		
Lens	F1.7 - 1.9 manual zoom 1:1.2 manual focus		
Throw ratio (distance:width)	1.47 - 1.79 : 1		
Lamp	150W UHB (130W in whisper mode)		
Brightness	2,000 ANSI lumens (1,600 ANSI lumens in whisper mode)		
Expected lamp life	Approx. 2,000 hours (Approx. 4,000 hours in whisper mode)		
Contrast ratio	400 : 1		
Speakers	1W x 1		
Power supply	AC100-120V/AC220-240V 50/60Hz		
Power consumption	240W		
Operating temperature	32°F - 95°F		
Input signals	RGB	VGA, SVGA, XGA/SXGA/UXGA (COMPRESSED), MAC13", MAC16"	
	Composite video	NTSC, NTSC4.43, PAL, SECAM, PAL-M, PAL-N, PAL60	
	Component video	480i, 575i, 480p, 1,080i, 720p	
Acoustic noise level	38dB (33dB in whisper mode)		
H sync	15kHz - 91kHz		
V sync	50Hz - 120Hz		
Vertical keystone correction	Digital keystone +/- 15°		
Horizontal keystone correction	Digital keystone +/- 5°		
Approvals	UL, C-UL, FCC Class B		
Input/Output terminals	RGB input	Analog RGB	15-pin D-sub connector x 2
	RGB output	RGB	15-pin D-sub connector x 1
	Video input	S-video	Mini DIN 4-pin connector x 1
		Composite video	RCA jack x 1
		Component video	RCA jack x 3
Audio	RCA jack x 2 (L/R)		
Control terminals	15-pin D-sub connector x 1		
Compatible controls	USB connector (USB mouse) x 1		
	PS/2, ADB, serial, RS-232C (serial)		
Chassis	Dimensions	11.6" x 3.0" x 9.1" (W x H x D)	
	Weight	6 lbs.	
	Supplied accessories	Remote control, batteries (AA), RGB cable, RCA video/audio cable, power cord, USB cable, operator/safety manual, soft case	
Replacement parts	Lamp	CPS317LAMP (Part #: DT00511)	
	Remote Control	(Part #: HL01891)	

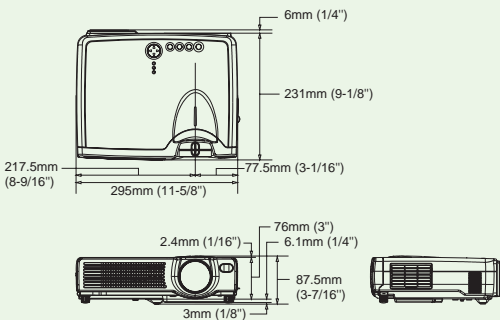


Screen Size 4.3		Throw distance	
Diagonal*	Width*	Min*	Max*
40	32	47	55
60	48	71	87
80	64	95	114
100	80	118	142
120	96	142	173
150	120	181	217
200	160	240	287

Throw ratio: 1.47 ~ 1.79:1 (distance:width)

*: Measured in inches

CP-S318/CP-X328 Dimensions (incl.protruding part)



www.touchboards.com 205 Westwood Ave. Long Branch, NJ 07740
1-866-942-6273 Sales@touchboards.com