

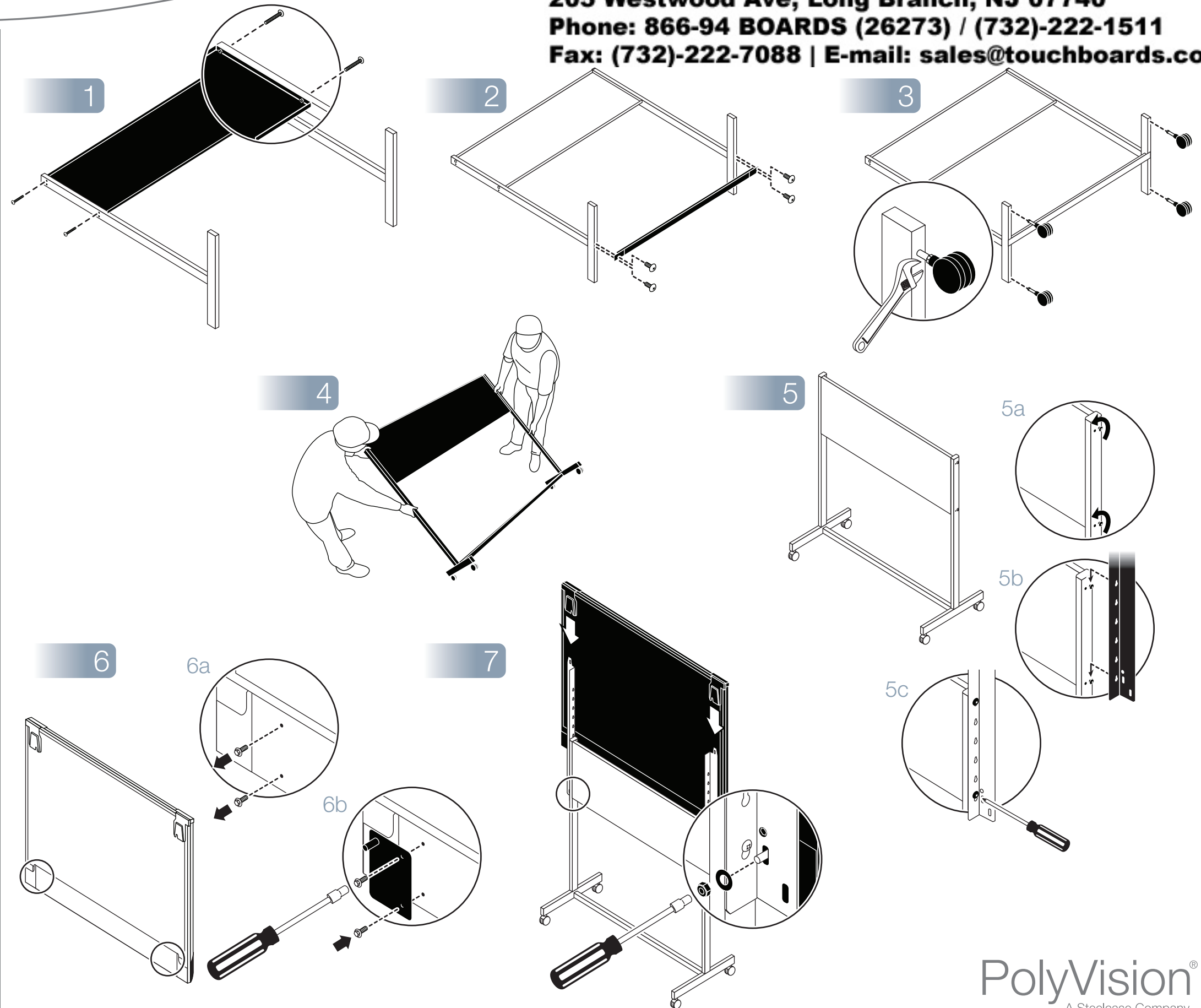
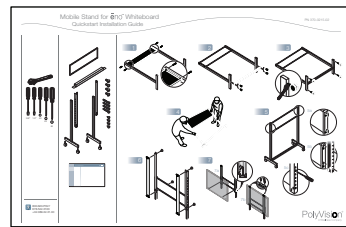
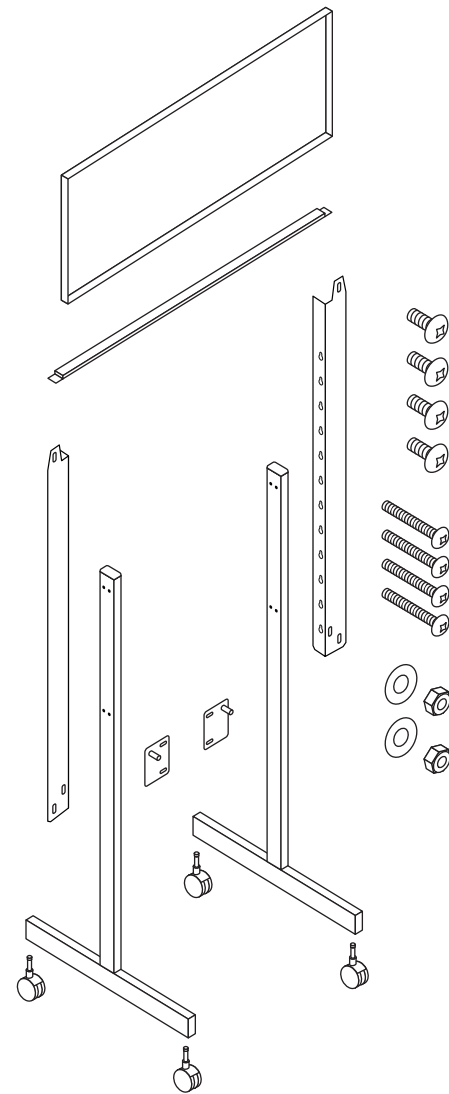
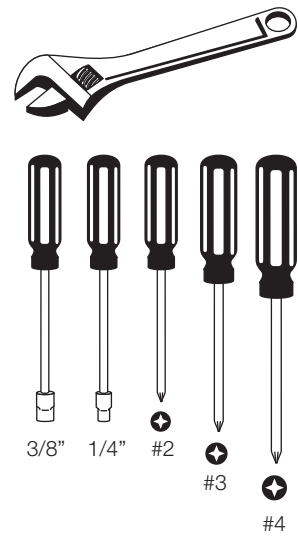
Mobile Stand for TS 600, and TSL 610
Quickstart Installation Guide

Touchboards

205 Westwood Ave, Long Branch, NJ 07740

Phone: 866-94 BOARDS (26273) / (732)-222-1511

Fax: (732)-222-7088 | E-mail: sales@touchboards.com



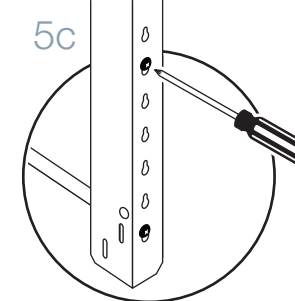
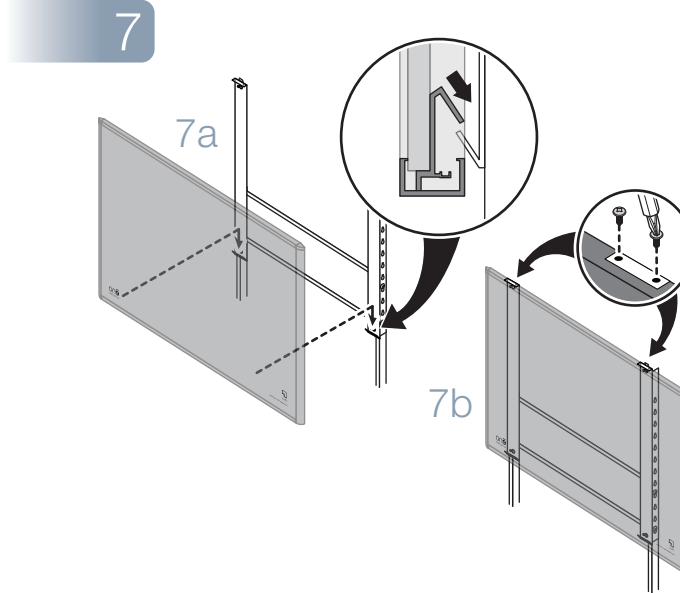
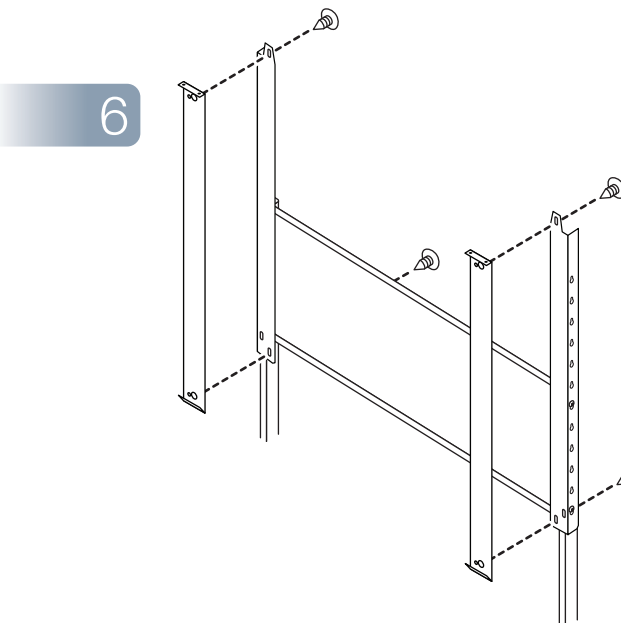
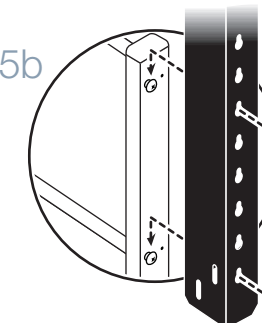
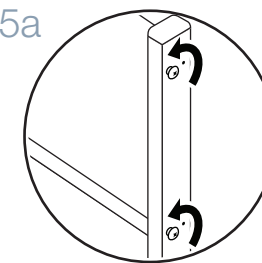
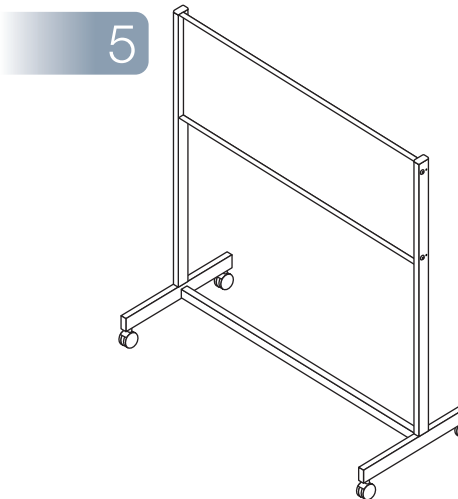
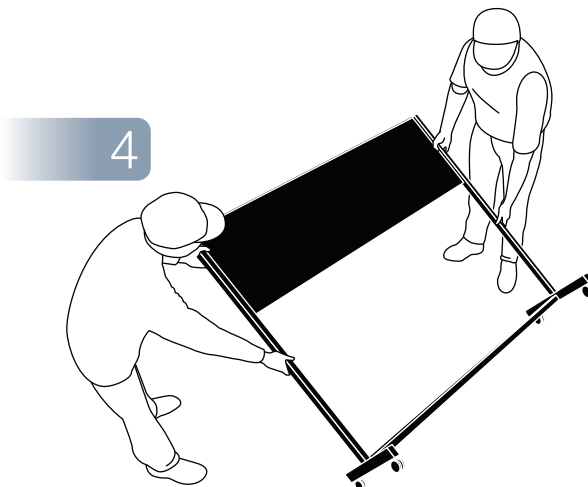
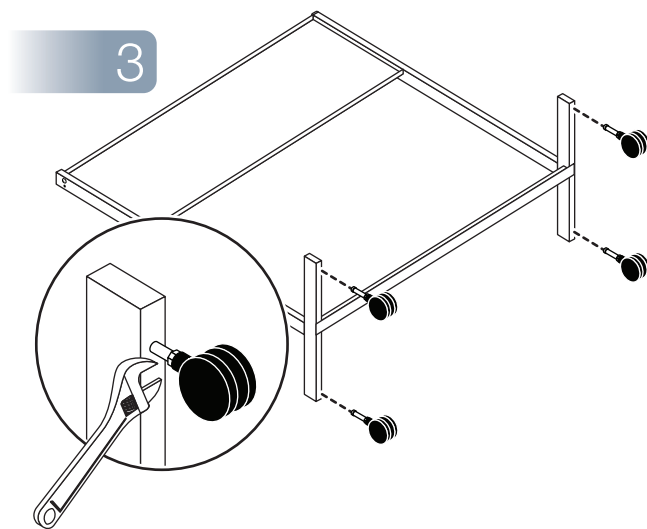
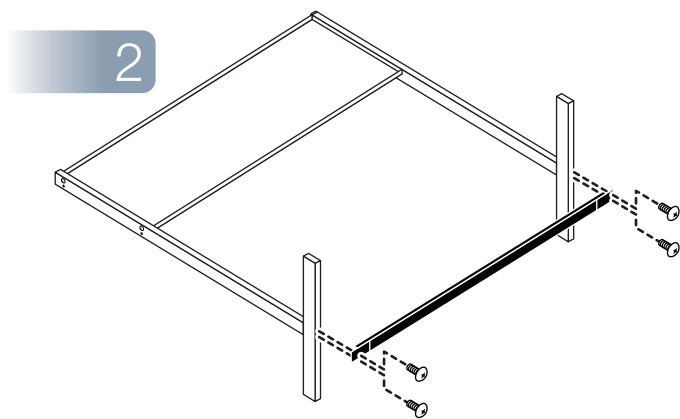
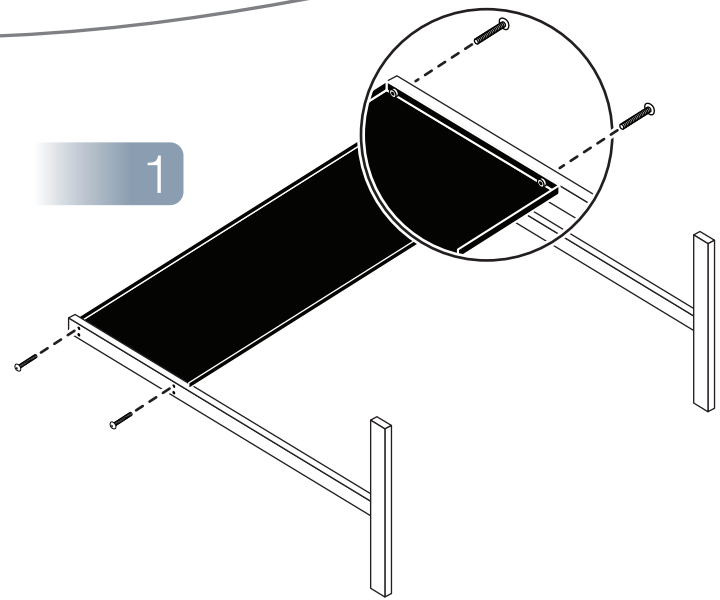
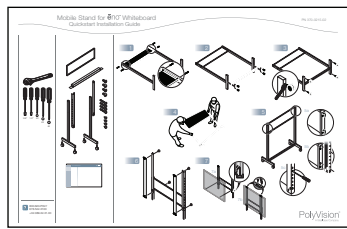
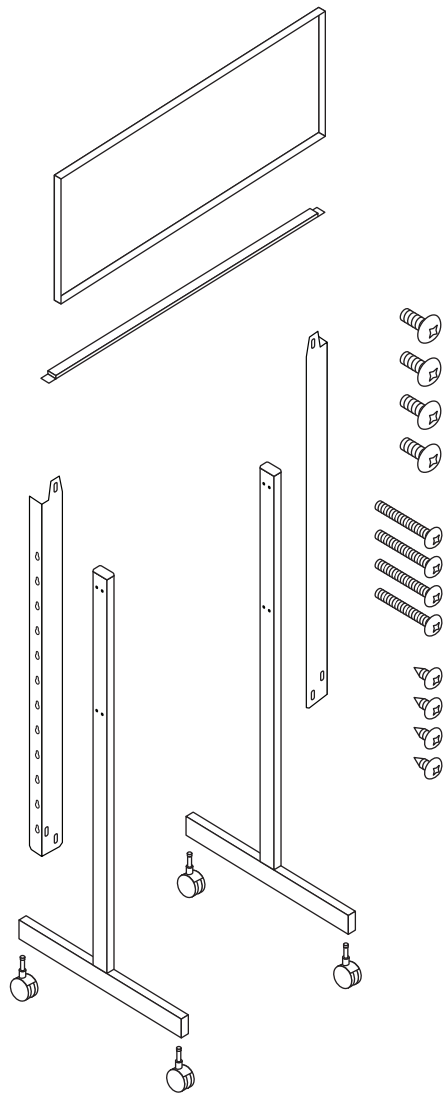
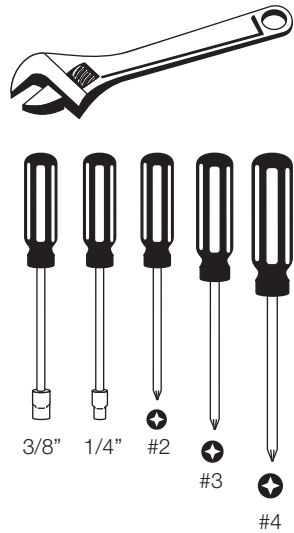
? 800.620.POLY
678.542.3100
+32.089.32.31.30

PolyVision®
A Steelcase Company

Mobile Stand for eno™ Whiteboard

Quickstart Installation Guide

PN 370-0215-03



? 800.620.POLY
678.542.3100
+32.089.32.31.30