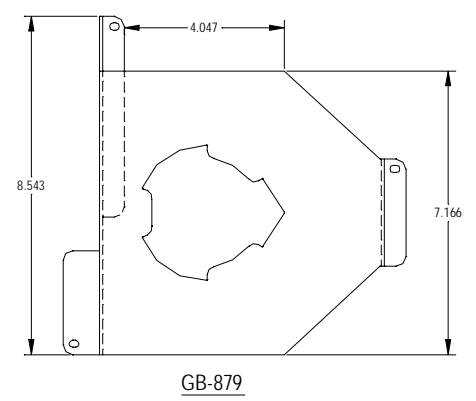
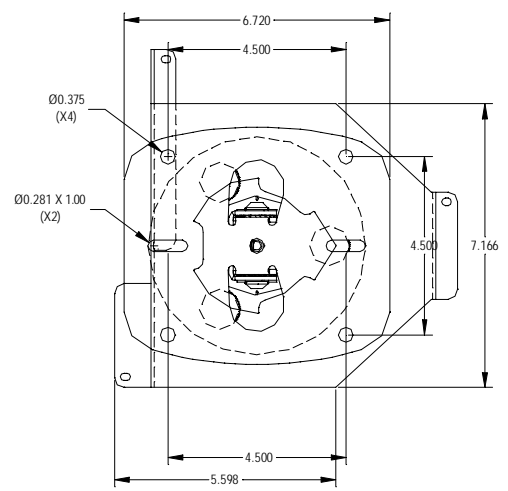
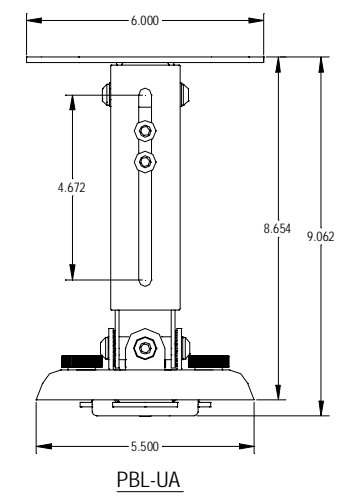
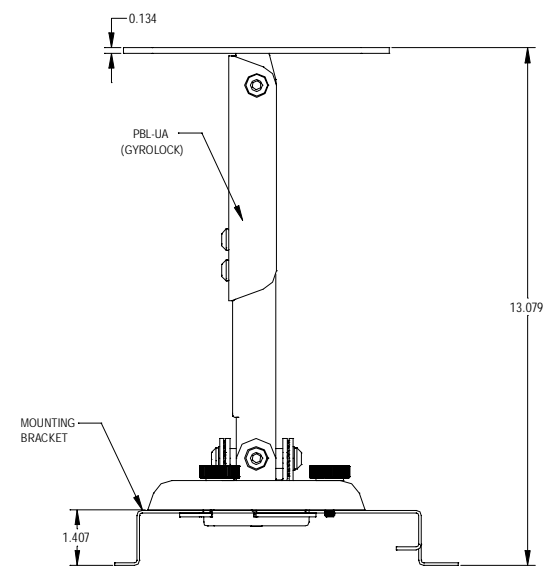
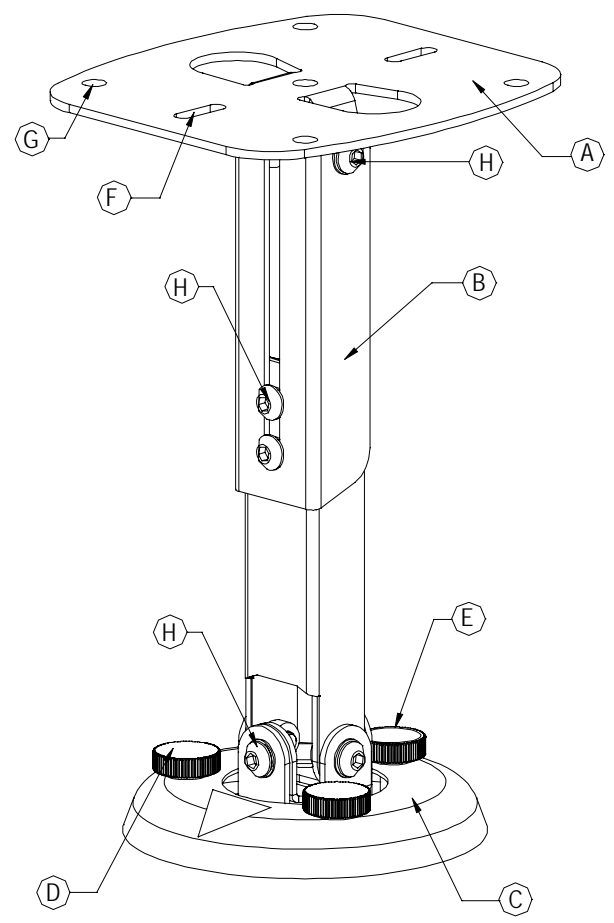


NOTE: THIS DRAWING AND THE SPECIFICATIONS CONTAINED HEREIN ARE CONFIDENTIAL AND PROPRIETARY. THEY ARE THE PROPERTY OF PREMIER MOUNTS ... AND WILL NOT BE REPRODUCED IN ANY PART, OR COPIED OR USED IN WHOLE OR IN PART AS THE BASIS FOR THE MANUFACTURE OR SALE OF ITEMS WITHOUT WRITTEN PERMISSION. THIS IS AN UNPUBLISHED WORK PROTECTED UNDER THE FEDERAL COPYRIGHT LAWS.



DESCRIPTION	
A	Bell housing
B	Adjustable extension
C	Clamp plate
D	Tension knobs
E	Safety knob
F	Single stud mounting points
G	Solid structure mounting points
H	M8 x 16,1.25 x 16mm LG BHCS

BID SPECIFICATIONS	
• CONSTRUCTION OF THE PBL-UA (GYROLOCK) IS 12 (ga) CRS	• MAXIMUM BEND RADIUS ARE (.06) (.03)
• CONSTRUCTION OF THE MOUNTING BRACKET IS 14 (ga) CRS	• DRAWINGS ARE INTERPRET BY (Y14.5)
• ALL SHARP EDGES ARE BROKEN FOR A SMOOTH FINISH	



TITLE	PBL-879
-------	---------

Mounting product shall be a Premier Mounts model PBL-879 projector mount. The (6.720" x 6") ceiling plate should be installed to the center of a wood stud above the ceiling structure via two (2) 0.281 dia x 1" Lg slots for fine adjustment and one 0.375" dia hole and to be secured with (3) #14 x 2" wood screws (supplied) or solid structure via (commercially available) suitable hardware depending on the installation environment. The Gyrolock can be installed to the ceiling or wall. Built-in angled ceiling compensation. Both roll and tilt of greater than +/- 20° from center. Positive locking in any set position and 360° and quick release system for easy projector mounting and removal. It offers 9" to 12" continuous adjustable height, as well as low-profile fixed-height mounting. The mounting bracket will mate directly to the specified manufactured projector and will secure to the chassis with the mounting hardware (supplied). For further questions please contact PREMIER MOUNTS.